

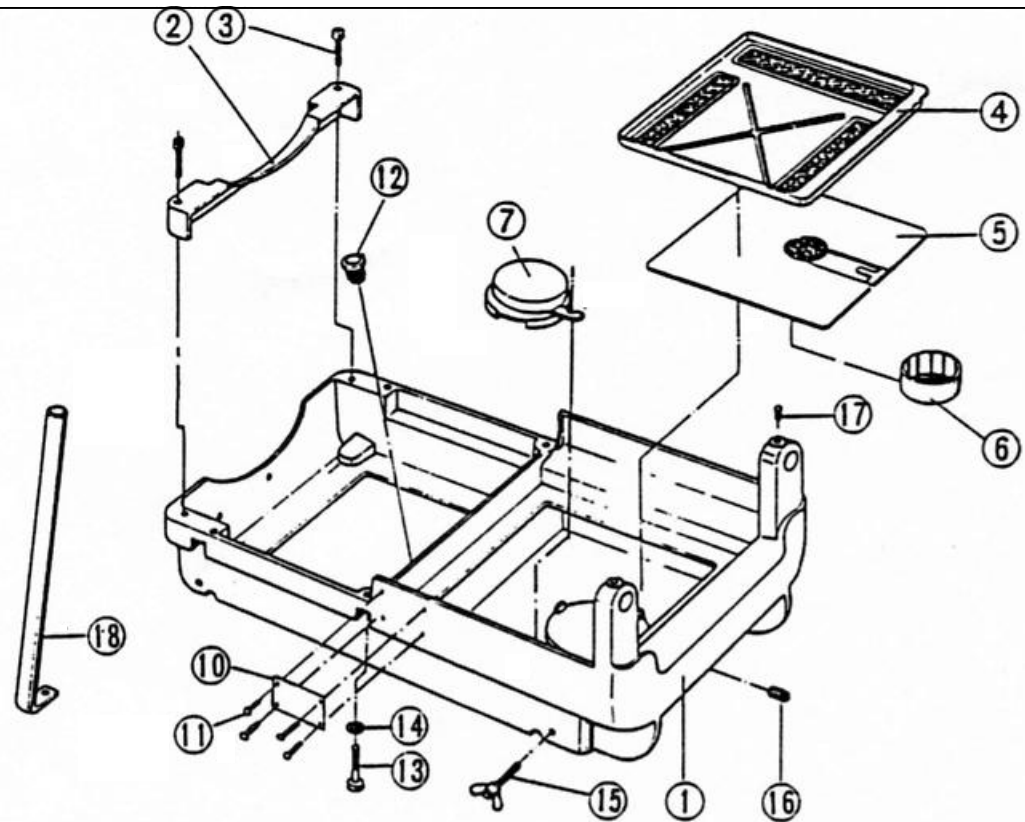
Wheeler-Rex Model 6590 (N150A) Pipe Threading Machine Parts List



Wheeler Mfg. Div Rex Intl USA Inc.
3744 Jefferson Road
Ashtabula, OH 44004
Tel: 800-321-7950
Fax: 440-992-2925
www.wheelerrex.com
wheeler@wheelerrex.com

REX Industries Ltd.
www.rexind.co.jp

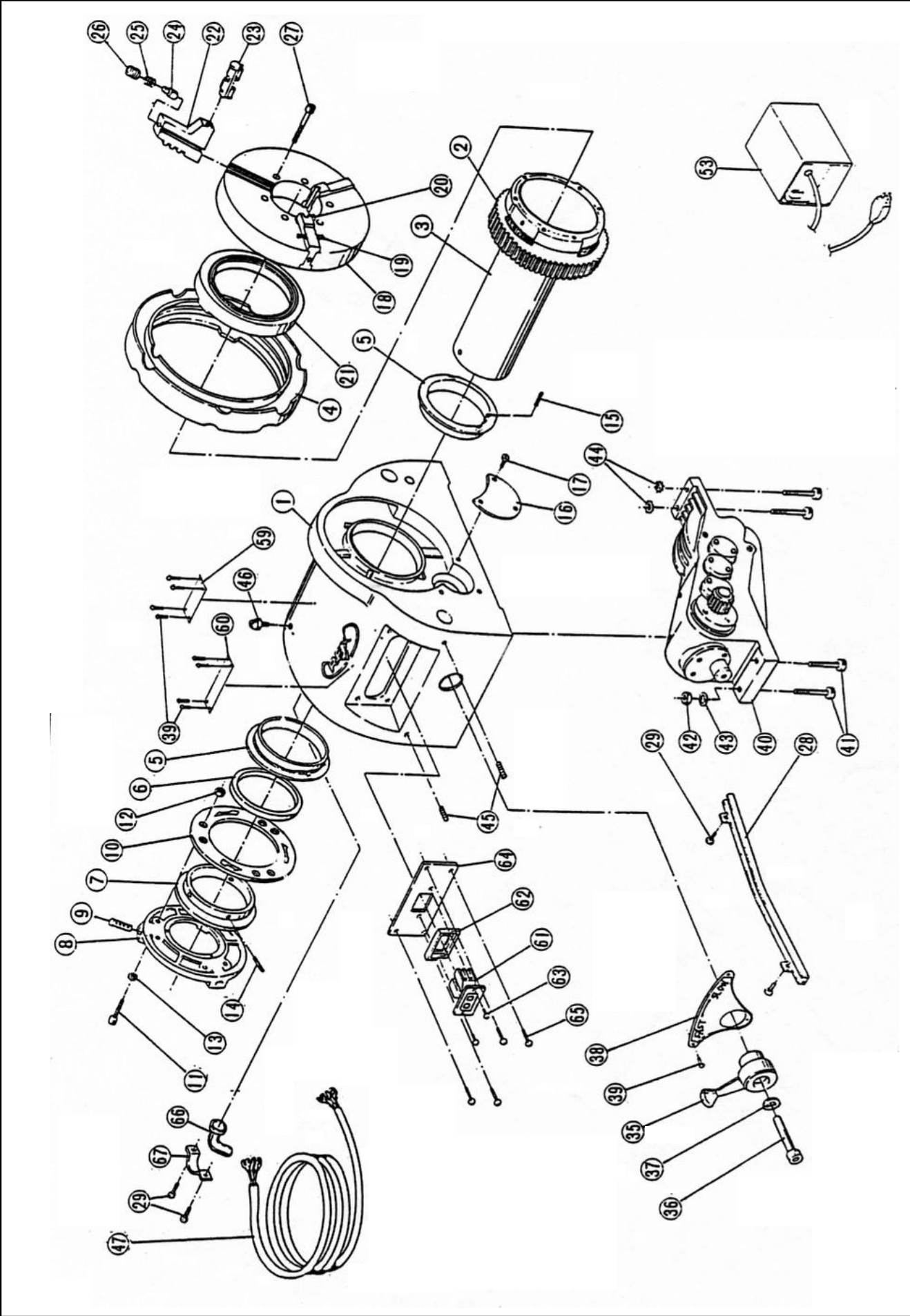
6590 Base



1

Number	Wheeler P/N	Description	Set	Rex P/N	Notes
1	607051	Base	1	A050	
2	607052	Motor Cover	1	A052	
3	600193	Socket Hd Cap Screw (M8x60)	2		
4	607053	Scrap Receiver	1	A053	
5	607054	Tank Upper Cover	1	A054	
6	607055	Oil Pot	1	A055	
7	607056	Strainer	1	A056	
8					
9					
10		Name Plate	1		
11	600143	Rivet (#0x5)	4		
12	601095	Suction Tube Bushing	1	1095	
13	600181	Socket Hd Cap Screw (M10x40)	4		
14	600182	Spring Washer (M10)	4		
15	600146	Wing Screw (M10x25)	4		
16	600183	Drain Plug (PT1/2)	1		
17	600428	Hex Socket Set Screw (M8x14)	2		
18	602711	Pipe Stand	4	A057	
19	600376	Bottom Cover	1	A350	
20	600179	Rd Hd Machine Screw (M5x10)	5		
22	600694	Drip Tray	1		

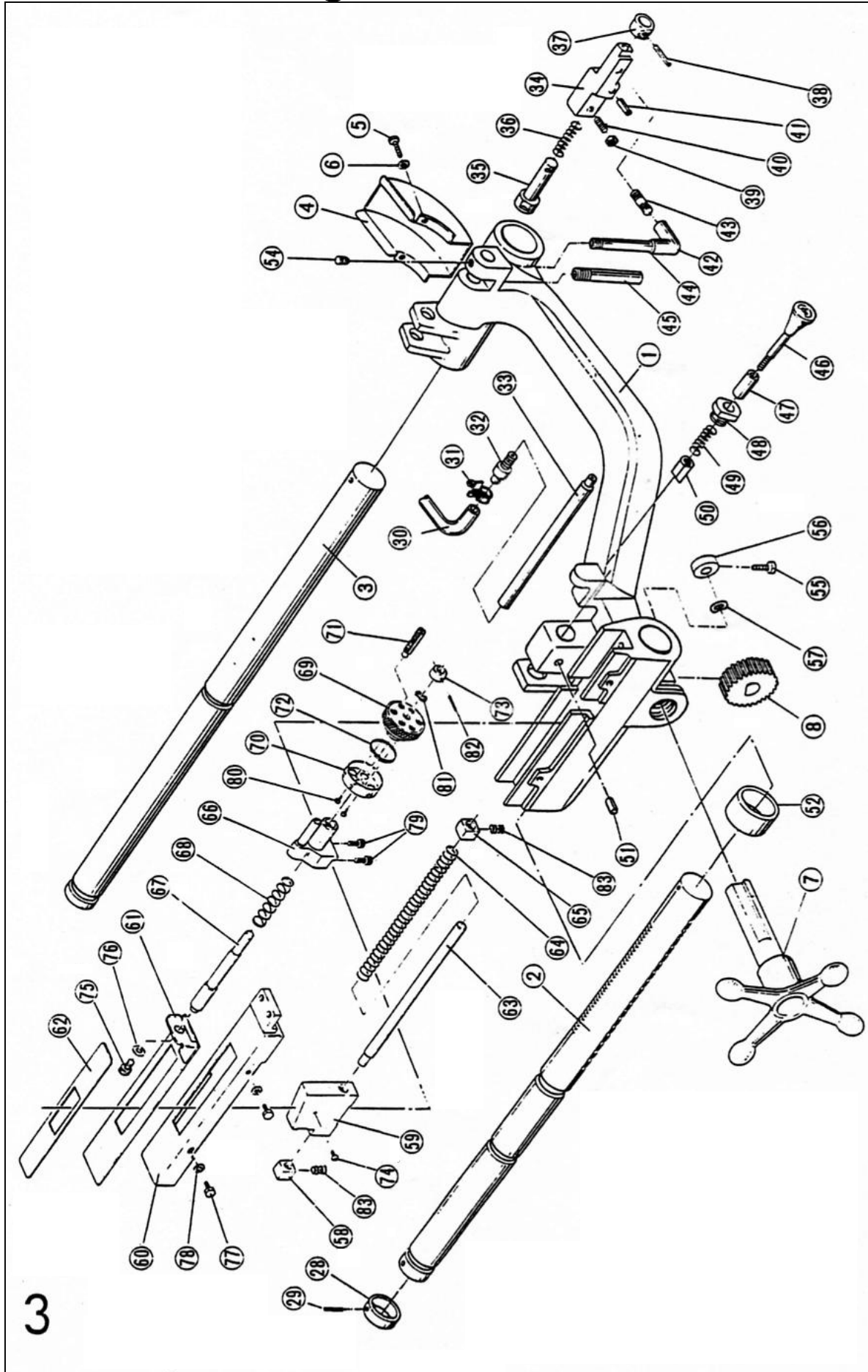
6590 Head Stock



6590 Head Stock

Number	Wheeler P/N	Description	Set	Rex P/N	Notes	
1	608001	Head Stock	1	E1001		
2	608002	Main Shaft Gear	1	E002	} 600273 02EJ	
3	608004	Main Shaft	1	E004		
4		Hand Wheel	1	E007		
5	608005	Main Shaft Bearing	2	E005		
6	608008	Thrust Ring	1	E008		
7	608007	Rear Scroll	1		} 608006 E006 Rear Chuck Complete Set	
8	608010	Rear Chuck Receptacle	1			
9	608011	Rear Chuck Jaw	3			
10	608012	Rear Chuck Cover	1			
11	600131	Socket Hd Cap Screw (M6x16)	6			
12	600177	Hexagon Nut (M6)	6			
13	600132	Spring Washer (M6)	6			
14	600149	Roll Pin (M6x18)	3			
15	600127	Roll Pin (M4x10)	4			
16	607009	Window Cap	1	A009		
17	600184	Rd Hd Machine Screw (M4x18)	3			
18	608015	Chuck Body	1	} E018	} 600270 Chuck Complete less handwheel	
19	600877	Roll Pin (M4x40)	1			
20	600453	Block Pin	2			
21	600454	Chuck Scroll	1			
22	600876	Chuck Jaw	3			
23	60307	Chuck Jaw Insert	3			
24	600187	Spring Retainer	3			
25	600188	Spring	3			
26	600189	Hex Socket Set Screw	3			
27	600455	Socket Hd Cap Screw (M7x60)	6			
28	607010	Oil Drip Plate	1	A010		
29	600191	Rd Hd Machine Screw (M4x10)	4			
30	600959	Switch	1			
31		Switch Fixed Plate	1	E041		
33	600335	Rd Hd Machine Screw (M5x10)	4			
35	607303	Speed Change Lever	1	A303		
36	600193	Socket Hd Cap Screw (M8x60)	1			
37	600130	Spring Washer (M8)	1			
38	608021	Change Position Plate	1	E027		
39	600143	Rivet (#0x5)	14			
40	600194	Gear Case Complete Set	1			
41	600195	Socket Hd Cap Screw (M10x65x45)	4			
42	600148	Hexagon Nut (M10)	4			
43	600182	Spring Washer (M10)	4			
44	600429	Toothed Lock Washer (M10)	4			
45	600197	Hex Socket Set Screw (M8x10)	4			
46	600198	Grease Nipple (M6)	2			
47		Cabtyre Cord	1	E043		
49		Cord Strain Relief	1	E042		
50		Power Cord Plate	1	E040		
51	607029	Indication Plate	1	E044		
52	600151	Oval Hd Machine Screw (M4x16)	8			
53	901	Foot Switch	1			
54		Hexagon Hd Screw (M5x10)	1			
55		Hexagon Nut (M5)	5			
57		Forward / Reverse Plate	1	9201		
58		Spring Washer (M5)	4			
59	603557	Warning Plate A	1	9102		
60	603558	Warning Plate	1	E045	6090, 6390, 6790, 6890	
61	600959	Switch	1			
62		Switch Packing	1	N041	6090, 6790, 6890	
63		Flt Hd Machine Screw	2		6390, 6790	
64		Switch Mounting Plate	1	A641		
65		Oval Hd Machine Screw (M4x10)	4			
66		Cord Bush	1	7021	6090, 6390, 6790, 6890	
67		Binder C-15	1	7098	6090, 6390, 6790, 6890	

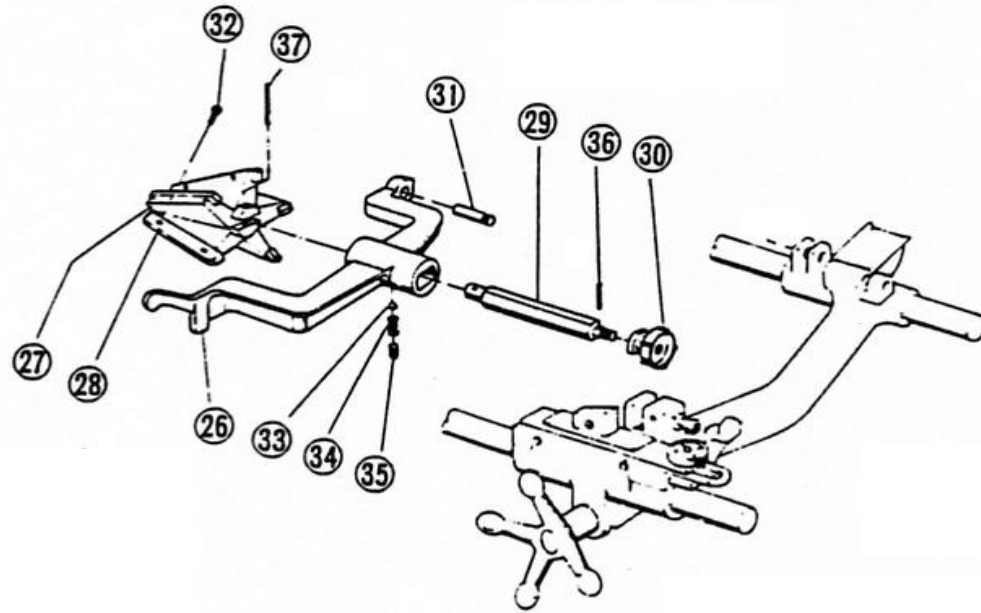
6590 Carriage



6590 Carriage

Number	Wheeler P/N	Description	Set	Rex P/N	Notes
1	607101	Carriage	1	A101	
2	607512	Carriage Support Bar A	1	A526	
3	607513	Carriage Support Bar B	1	A527	
4	608121	Oil Cover	1	E825	
5	600204	Rd Hd Machine Screw (M6x10)	2		
6	600132	Spring Washer (M6)	2		
7	607517	Carriage Handle	1	A517	Set A516 Feed Gear Shaft 6490,6790
8	607515	Carriage Feed Gear	1	A515	6190,6790
28	608032	Carriage Stop Collar	1	8032	
29	600205	Roll Pin (M5x20)	1		
30	600212	Oil Feed Line Tube	1		
31	600213	Pipe Band (10mm)	1		
32	601035	Joint	1	1035	6790
33	607111	Oil Pipe A	1	A111	
34	607113	Oil Pipe Connector	1	7007	
35	607126	Connector Shaft	1	7017	
36	607128	Connector Spring	1	7220	
37	607127	Oil Adjustment Knob	1	7018	
38	600214	Roll Pin (M3x25)	1		
39	600811	Jam Nut (M6)	1		
40	600215	Hex Socket Set Screw (M6x20)	1		
41	600433	Roll Pin (M8x25)	1		
42	600216	1/4 Elbow	1		
43	600217	1/4 Nipple	1		
44	607112	Oil Pipe B	1	A112	
45	607138	Drain Pipe	1	A138	
46	607117	Die Head Lock Knob	1	A117	
47	607119	Knob Pin Bushing	1	A119	6490,6790
48	607110	Die Head Stop Pin Cover	1	A110	
49	607115	Spring Washer (M6)	1	A115	6490,6790
50	607109	Die Head Stop Pin	1	A109	
51	600218	Roll Pin (M6x10)	1		
52	607520	Carriage Support Collar	1	A520	
54	600176	Hex Socket Set Screw (M6x10)	1		
55	600165	Rd Hd Machine Screw (M5x30)	1		6490,6790
56	609018	Feed Gear Stop Ring	1	9018	6490,6790
57	600164	Wave Washer (M20)	1		6190,6490,6790
58	608110	Spring Support Shaft Holder A	1	T032	
59	608708	Profiling Board	1	A102	
60	600880	Profiling Cover A	1	E122	
61	600881	Profiling Cover B	1	E123	
62	600882	Profiling Cover C	1	E124	
63	608106	Spring Support Shaft	1	E117	
64	607114	Spring	1	A114	
65	608111	Spring Support Shaft Holder B	1	T033	
66	600883	Size Adjustment Shaft Holder	1	E126	Set E127 Size Stopper Pin 02EY Profiling Set 600284
67	600884	Size Adjustment Shaft	1	E125	
68	600885	Spring	1	E128	
69	600886	Size Plate	1	J125	
70	600887	Size Plate Cover	1	E130	
71	600889	Socket Hd Cap Screw 6"	1	J230	
	600890	Socket Hd Cap Screw 5"	1	J235	
	600891	Socket Hd Cap Screw 4"	1	J232	
	600892	Socket Hd Cap Screw 3-1/2"	1	J236	
	600893	Socket Hd Cap Screw 3"	1	J233	
	600894	Socket Hd Cap Screw 2-1/2"	1	J234	
72	600853	Spring	1	J151	
73	603585	Stop Collar	1	J126	6790
74	600432	Rd Hd Machine Screw (M5x6)	1		6790
75	600472	Socket Hd Cap Screw (M8x10)	1		6790
76	603584	Washer (M8)	1		6790
77	600210	Hexagon Hd Cap Screw (M6x10)	2		
78	600211	Washer (M6)	2		
79	600604	Socket Hd Cap Screw (m6x12)	2		
80	600878	Rd Hd Machine Screw (M3x5)	2		
81	603584	Wave Washer (M12)	1		6790
82	600516	Roll Pin (M4x20)	1		6790
83	600434	Profiling Board Spring	2	E140	6790

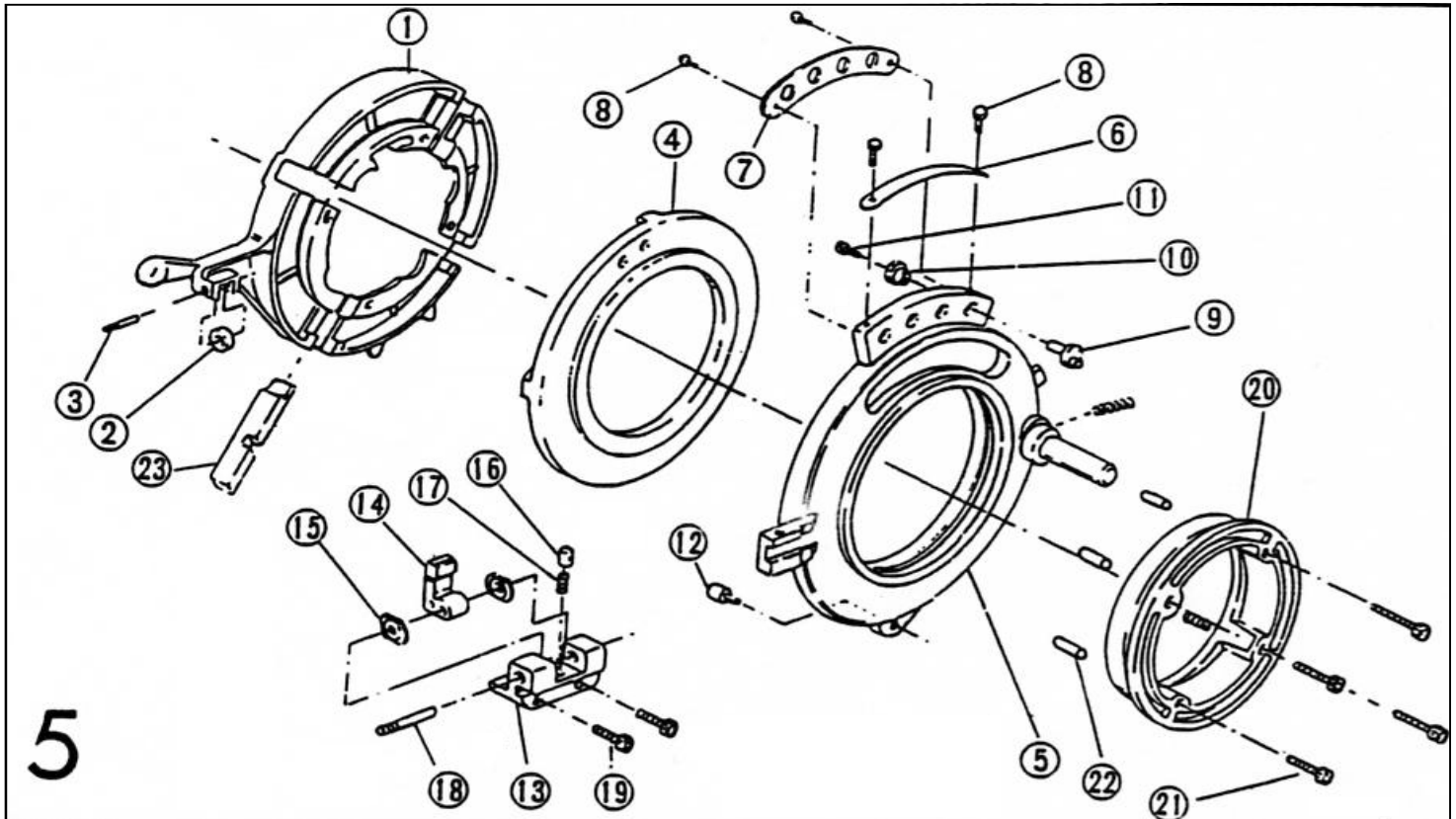
6590 Reamer



4

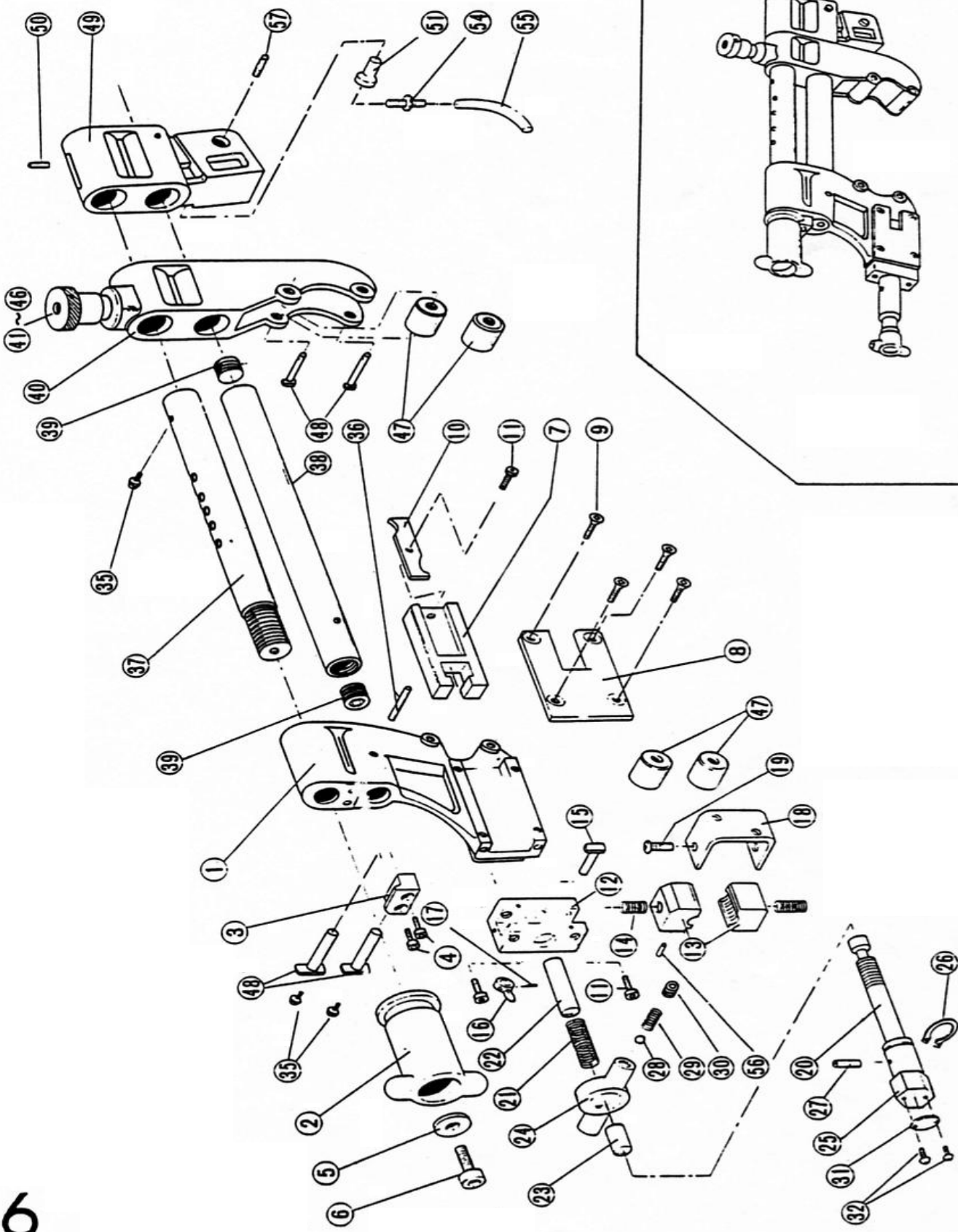
Number	Wheeler P/N	Description	Set	Rex P/N	Notes
26	607251	Reamer Arm	1	A251	6490
27	607255	Reamer Cone	1	E255	
28	607256	Reamer Blade	5	E256	
29	607253	Reamer Shaft	1	A253	6490, 6790
30	601094	Reamer Knob	1	1094	6390, 6490, 6790
31	607254	Reamer Arm Stop Pin	1	A254	6490
32	600237	Socket Hd Cap Screw (M6x16)	10		
33	600223	Steel Ball	1		6090, 6190, 6490,6790
34	600224	Spring	1		6090, 6190, 6490,6790
35	600169	Hex Socket Set Screw (M10x10)	1		
36	600127	Roll Pin (M4x10)	1		
37	600227	Roll Pin (8x50)	1		
	607252	Complete Reamer			

6590 Profiling Die Head



Number	Wheeler P/N	Description	Set	Rex P/N	Notes
1	600895	Die Head Body (5-6)	1	E601	
	600896	Die Head Body (2-1/2-4)	1	E611	
2	603560	Die Head Roller	2	T008	6790
3	603412	Die Head Roller Pin	2	3412	6490, 6790
4	600897	Cam Plate (5-6)	1	E630	
	603561	Cam Plate (2-1/2-4)	1	J067	6790
5	600898	Die Head Receiver Plate (5-6)	1	E608	Set A160 Die Hd Post / Hx Sckt Set Screw
	600899	Die Head Receiver Plate (2-1/2-4)	1	E615	Set A160 Die Hd Post / Hx Sckt Set Screw
6	600900	Die Head Size Plate (5-6)	1	E609	600812
	600901	Die Head Size Plate (2-1/2-4)	1	E616	
7	600902	Adjustment Plate (5-6)	1	E610	
	900903	Adjustment Plate (2-1/2-4)	1	E617	
8	600621	Rivet (#4x5)	8		6790
9	604692	Crank Pin	6	7692	6390, 6790
10	604693	Size Adjustment Knob	6	7693	6390, 6790
11	600479	Socket Hd Cap Screw (M6x10)	6		6790
12	603565	Die Head Position Pin	2	J077	6790
13	603566	Size Setting Lever Holder	2	J073	6790
14	604690	Size Setting Lever	2	7690	6390, 6790
15	604743	Size Adjustment Plate	4	7743	6390, 6790
16	604790	Notch Pin	2	7790	6390, 6790
17	600687	Spring (M5x12)	2	7752	6390, 6790
18	604742	Retaining Pin	2	7742	6390, 6790
19	600532	Socket Hd Cap Screw (M8x20)	4		6790
20	600904	Retaining Ring (5-6)	1	E604	
	603567	Retaining Ring (2-1/2-4)	1	J068	6790
21	600238	Socket Hd Cap Screw (M6x40)	8		6490, 6790
22	601576	Dies Notch	8	G865	6790
23	60206	2-1/2" - 4" NPT Dies	1 set	X052	
	60207	5"-6" NPT Dies	1 set	X051	
26	60127	2-1/2"-4" NPT Die Head	1	02E1	
27	60128	5"-6" NPT Die Head	1	02E2	

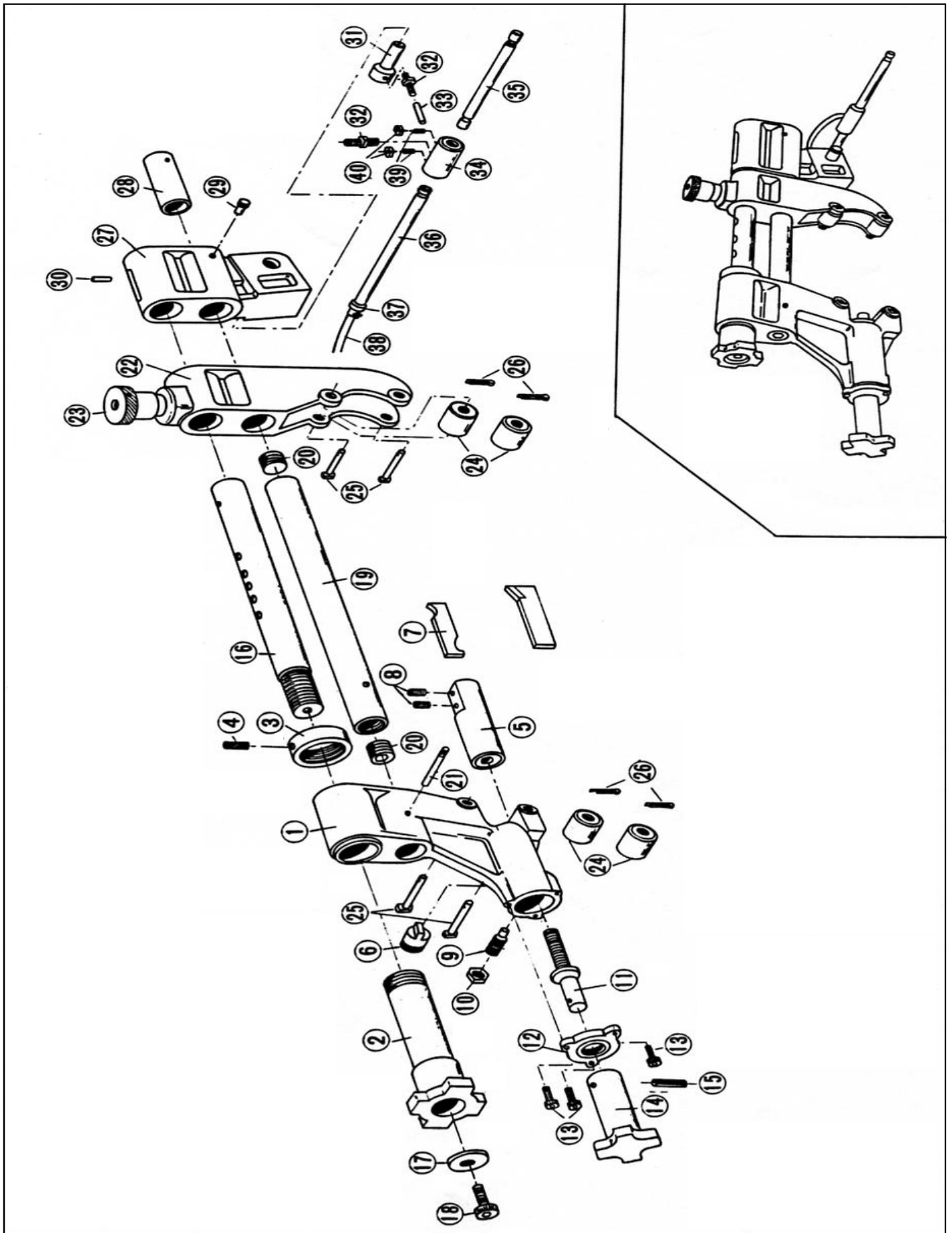
6590 Blade Cutter



6590 Blade Cutter

Number	Wheeler P/N	Description	Set	Rex P/N	Notes
1	606836	Cutter Frame	1	E261	
2	607264	Cutter Handle	1	A264	6490, 6790
3	600601	Frame Broke	1	A300	
4	600131	Socket Hd Cap Screw (M6x16)	1		6490, 6790
5	608849	Stop Washer (M8x28x1.8)	1		6490, 6790
6	600442	Socket Hd Cap Screw (M8x15)	1		6490, 6790
7	600641	Blade Holder	1	7934	6490, 6790
8	600602	Blade Holder Plate	1	7935	6490, 6790
9	600603	Flat Hd Machine Screw (M5x10)	4		6490, 6790
10	60390	Blade	1		
11	600604	Socket Hd Cap Screw (M6x12)	3		6490, 6790
12	600605	Feed Screw Holder	1	7943	6490, 6790
13	600606	Half Nut	1 set	7945	6490, 6790
14	600607	Nut Spring	2	7955	6490, 6790
15	600608	Cam Shaft	1	7946	6490, 6790
16	600609	Cutter Lever	1	J144	
17	600207	Roll Pin (M3x18)	1		6490, 6790
18	600610	Feed Screw Holder Cover	1	7944	6490, 6790
19	600329	Rd Hd Machine Screw (M5x8)	4		6490, 6790
20	600611	Feed Screw	1	7942	6490, 6790
21	600612	Feed Screw Spring	1	7954	6490, 6790
22	600613	Feed Screw Cover	1	7951	6490, 6790
23	600614	Support Collar	1	7951	6490, 6790
24	600615	Blade Handle	1	7940	6490, 6790
25	600616	Hexagon Shaft	1	7949	6490, 6790
26	600617	Snap Ring (outside M24)	1		6490, 6790
27	600618	Roll Pin (M6x22)	1		6490, 6790
28	600168	Steel Ball (M8)	2		6490, 6790
29	600619	Handle Spring	2	7952	6490, 6790
30	600169	Hex Socket Set Screw (M10x10)	2		6490, 6790
31	600842	Handle Plate 150	1	E268	
32	600621	Rivet (#4x5)	2		6490, 6790
35	600647	Truss Screw M5x8)	6		6490, 6790
36	600208	Roll Pin (M6x40)	1		6490, 6790
37	600853	Cutter Support Bar A	1	E265	
38	600622	Cutter Support Bar B	1	E266	
39	600623	Hex Socket Pipe Screw (PT 3/8)	2		6490, 6790
40	608832	Cutter Guide	1	E262	
41	608215	Cutter Notch	1	E215	
42	608216	Notch Holder	1	E216	6490, 6790
43	600472	Hex Socket Pipe Screw (M8x10)	1		6490, 6790
44	608217	Notch Knob Assembly	1	E217	6490, 6790
45	600625	Roll Pin (m3x35)	1		6490, 6790
46	600451	Notch Spring	1		6490, 6790
47	605074	Roller B	4	5074	6490, 6790
48	608225	Roll Pin B	4	7932	6490, 6790
49	608833	Cutter Arm	1	E263	
50	608627	Roll Pin (M8x20)	1		
51	600628	Cutter Arm Stop Pin	1	E845	6490, 6790
54	600445	Joint	1	A298	
55	600630	Oil Tube	1		6490, 6790
56	600631	Roll Pin (M3x10)	1		6490, 6790
57	600632	Hex Socket Pipe Screw (PT 1/8)	1		
62	600332	Flat Hd Machine Screw (M5x6)	2		
	600279	Complete Cutter	1		

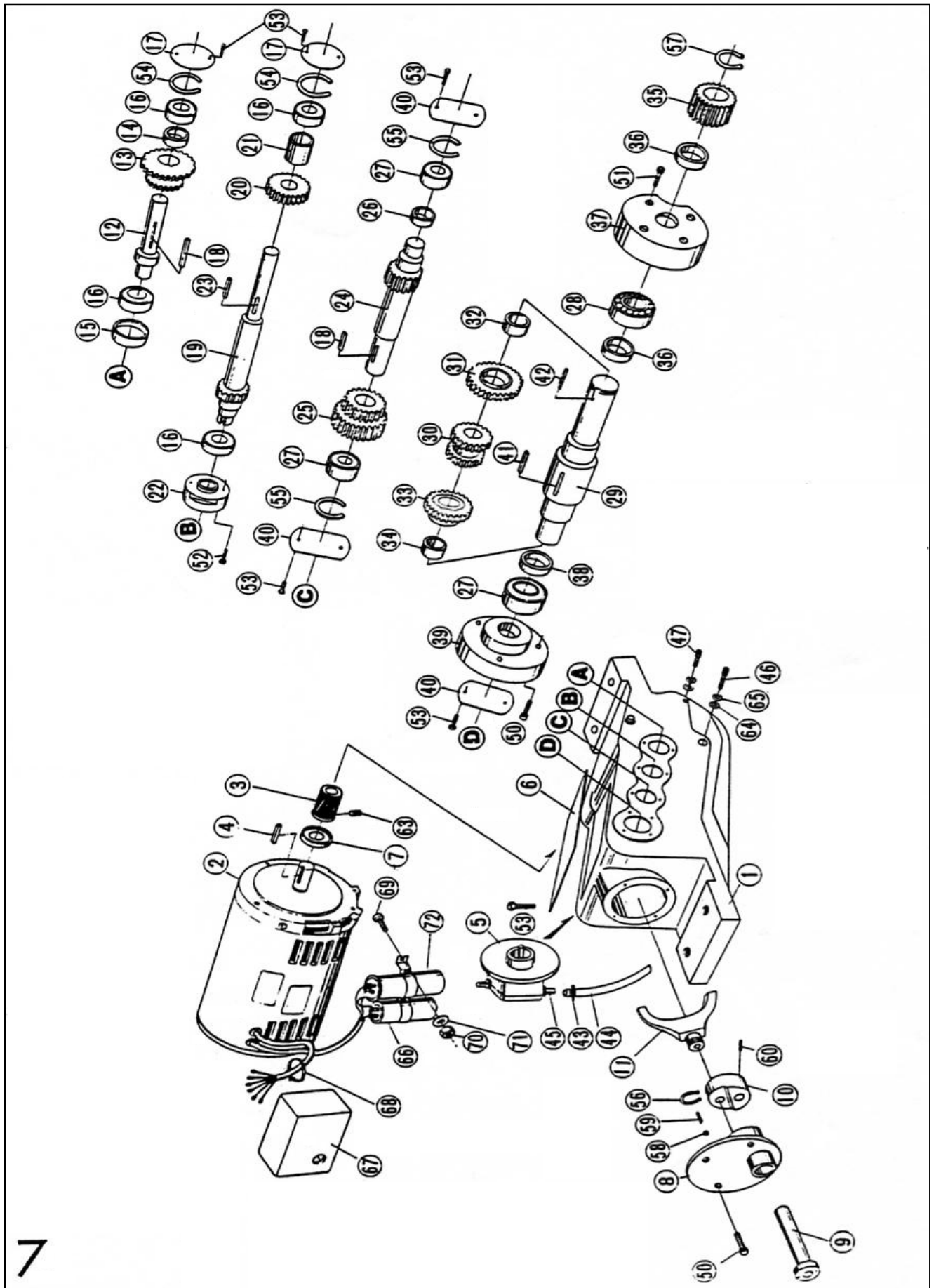
6590 Blade Cutter - Old Style



6590 Blade Cutter - Old Style

Number	Wheeler P/N	Description	Set	Rex P/N	Notes
	608275	Wheel Type Cutter - Old Style			
1	608831	Cutter Frame	1	E831	
2	608834	Cutter Handle	1	E834	
3	608847	Stop Ring	1	E847	
4	600439	Hex Socket set Screw (M6x8)	1		
5	608839	Blade Holder	1	E839 + E840	
6	608842	Holder fixing pin	1	E842	
7	60301	Cut off blade - HSS	1	E846	
	60302	Cut off blade - carbide tipped	1		
8	600219	Hex socket set screw (M8x8)	2		
9	600440	Hex socket set screw (M8x20)	1		
10	600328	Jam nut	1		
11	608841	Feed screw	1	E841	
12	600501	Feed screw cover	1	E836	
13	600441	Socket hd cap screw (M5x16)	3		
14	608835	Blade handle	1	E835	
15	600225	Roll pin	1		
16	608836	Cutter support Bar A	1	E836	
17	608849	Washer	1	E849	
18	600442	Socket hd cap screw (M8x16)	1		
19	608838	Cutter support Bar B	1	E838	
20	600443	Hex socket pipe screw (PT 1/2)	2		
21	608842	Stop Pin B	1	E848	
22	608832	Cutter guide	1	E832	
23	600444	Notch knob assembly	1		
24	605053	Roller	4	5053	
25	608225	Roller pin	4	E225	
26	600171	Spring cutter (2.3x15)	4		
27	608833	Cutter arm	1	E833	
28	608843	Support collar	1	E843	
29	608844	Stop pin A	3	E844	
30	600256	Roll pin (6x20)	1		6490
31	608845	Cutter arm stop pin	1	E845	6490
32	600445	Nipple	1		6490
33	600446	Oil feed line tube B	1		6490
34	600447	Connector B	1	E824	6490
35	608824	Oil pipe A	1	E822	6490
36	608822	Oil pipe C	1	E823	6490
37	600448	Pipe band	1		
38	600449	Oil feed lin tube A	1		
39	600215	Hex socket set screw (M6x20)	2		6490
40	600450	Jam nut	2		

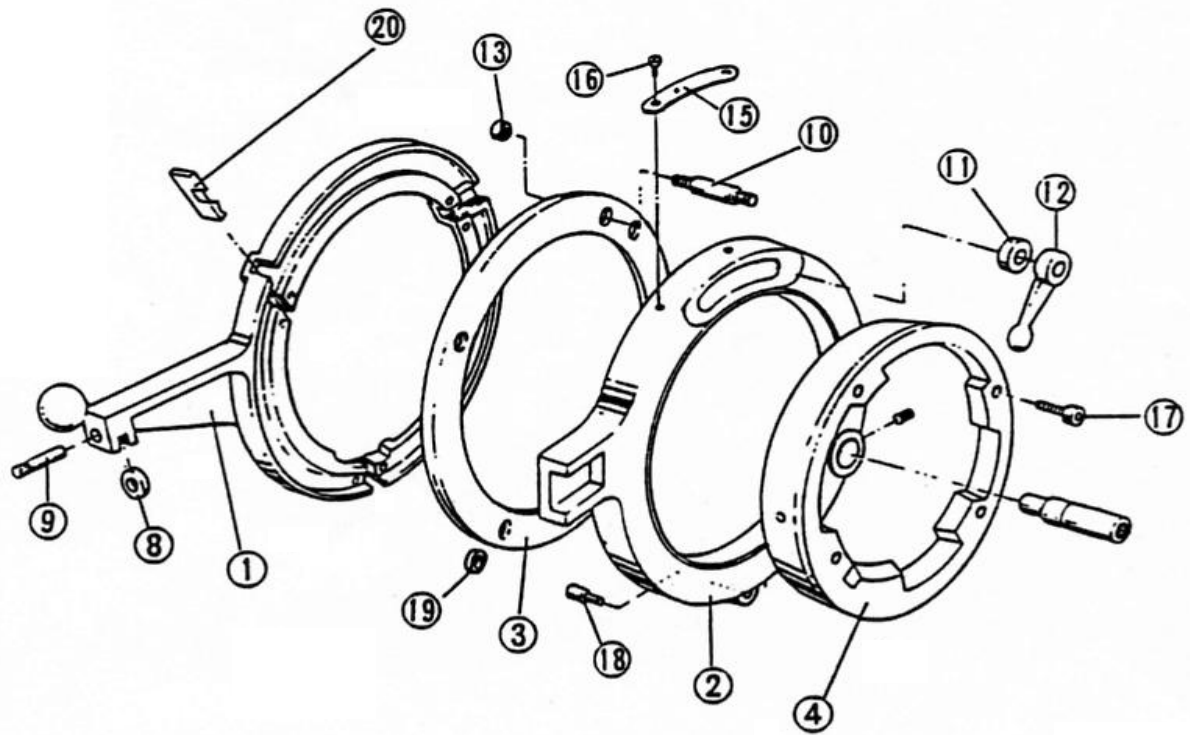
6590 Gear Case



6590 Gear Case

Number	Wheeler P/N	Description	Set	Rex P/N	Notes
1	607301	Gear Case	1	A301	6490
2	600228	Condenser Motor 120V, 750W	1	A574	
3	600907	Motor Gear	1	A344	
4	600229	Key	1		6490
5	607554	Gear Pump (Oil Pump)	1	A551	
6	607333	Upper Cover	1	A333	6490
7	607193	Oil Seal (AC42559)	1	A193	6490
8	607302	Front Cover	1	A302	6490
9	607304	Change Lever Shaft	1	A304	6490
10	607305	Change Lever	1	A305	6490
11	607306	Gear Shift Fork	1	A306	6490
12	607315	A Shaft	1	A315	6490
13	608311	A Shaft Gear	1	E344	
14	607316	A Shaft Collar	1	A316	6490
15	607317	A Shaft Bearing Collar	1	A317	6490
16	601301	Bearing (#6003)	4	1301	6490
17	607332	Iron Plate Cover	2	A332	6490
18	600230	Key (5x5x22)	2		6490
19	607318	B Shaft	1	A318	6490
20	608312	B Shaft Gear	1	E312	
21	607319	B Shaft Collar	1	A319	6490
22	607320	B Shaft Stop Cover	1	A320	6490
23	600231	Key (5x5x13)	1		6490
24	608321	C Shaft	1	E321	6490
25	608313	C Shaft Gear	1	E313	
26	607322	C Shaft Collar	1	A322	6490
27	607191	Bearing (#6004)	4	A191	6490
28	607192	Bearing (#6205)	1	A192	6490
29	607323	D Shaft	1	A323	6490
30	607309	Clutch	1	A309	6490
31	608307	Clutch Gear L	1	E307	6490
32	607329	Clutch Metal L	1	A329	6490
33	608308	Clutch Gear S	1	E308	
34	607330	Clutch Metal S	1	A330	6490
35	607314	D Shaft Gear	1	A314	6490
36	607324	D Shaft Collar L	2	A324	6490
37	607327	D Shaft Stop Cover	1	A327	6490
38	607325	D Shaft Collar S	1	A325	6490
39	607328	D Shaft Blind Cover	1	A328	6490
40	607331	Iron Plate Cover	3	A331	6490
41	600232	Key (10x8x50)	1		6490
42	600233	Key (7x7x28)	1		6490
43	600234	Pipe Band (10mm)	2		6490
44	600235	Oil Intake Line Suction Tube	2		6490
45	601035	Joint	2	1035	6490
46	600236	Socket Hd Cap Screw (M8x85)	2		6490
47	600237	Socket Hd Cap Screw (M8x30)	1		6490
48	600195	Socket Hd Cap Screw (M10x65x45)	2		6490
49	600196	Socket Hd Cap Screw (M10x70)	2		
50	600131	Socket Hd Cap Screw (M6x16)	7		6490
51	600167	Socket Hd Cap Screw (M6x25)	4		6490
52	600238	Socket Hd Cap Screw (M6x40)	2		
53	600210	Hex Hd Screw (M6x10)	14		6490
54	600239	Snap Ring (#AR33)	2		6490
55	600240	Snap Ring (#AR40)	2		6490
56	600241	Snap Ring (#51015)	1		6490
57	600242	Snap Ring (#51025)	1		6490
58	600168	Steel Ball (M8)	1		6490
59	600243	Spring	1		6490
60	600244	Roll Pin (M5x25)	1		6490
61	600182	Spring Washer (M10)	4		6490
62	600148	Hex Nut (M10)	4		6490
63	600219	Hex Socket Set Screw (M8x8)	1		6490
64	600245	Washer (M8)	3		6490
65	600130	Spring Washer (M8)	3		6490
66	60311	Starter Condensor (350 uF)	1		6490, 6790
67	607336	Condenser Cover	1	A336	6490
68	600246	Speed Clamp	1		6490
69	600247	Flat Hd Screw (M5x20)	2		
70	600209	Nut (M5)	2		6490, 6790
71	600248	Washer (M5)	2		6490
72	60312	Drive Condenser (30uF)	1		6490, 6790
	600272	Gear Case Complete			

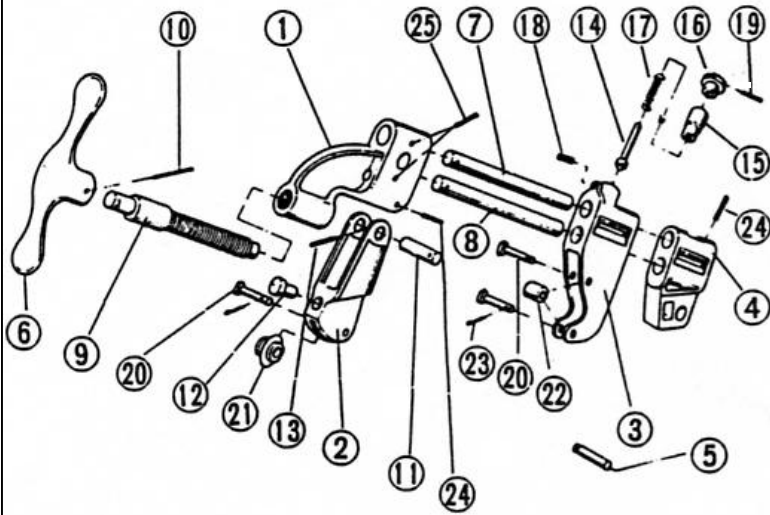
6590 Die Head



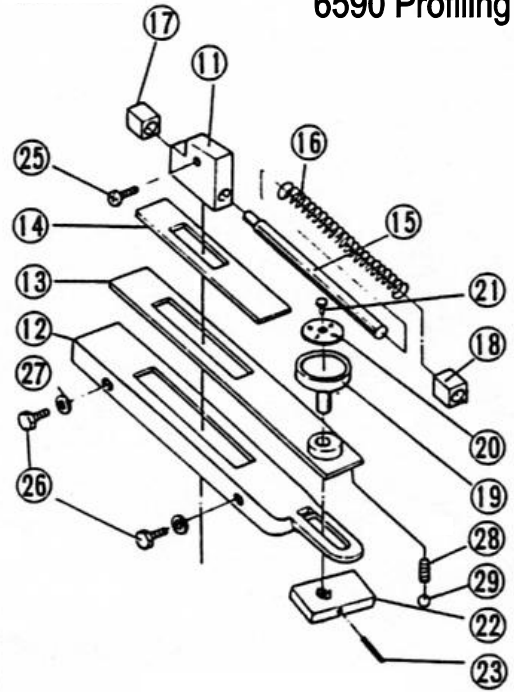
8

Number	Wheeler P/N	Description	Set	Rex P/N	Notes
1	608151	Die Head Body (5-6)	1	E151	
	607155	Die Head Body (2-1/2-4)	1	A155	6490
2	608152	Die Head Receiver Plate (5-6)	1	E152	Set A160 DH Post, Hex Skt Set Screw
	607156	Die Head Receiver Plate (2-1/2-4)	1	A156	Set A160 DH Post, Hex Skt Set Screw
3	608153	Cam Plate (5-6)	1	E153	
	607157	Cam Plate (5-6)	1	A157	6490
4	608154	Retaining Ring (5-6)	1	E154	
	607158	Retaining Ring (2-1/2-4)	1	A158	6490
5					
6					
7					
8	605053	Die Head Roll	2	5053	6490
9	603412	Die Head Roll Pin	2	3412	6490, 6790
10	607163	Cam Plate Fixed Bolt	2	A164	6490
11	607166	Cam Plate Fixed Bolt Washer	2	A166	6490
12	608705	Lever Nut	2	A705	
13	600220	Hex Nut (M12)	2		6490
14					
15	607170	Die Head Size Plate (5-6)	1	A353	
	607176	Die Head Size Plate (2-1/2-4)	1	A352	
16	600221	Truss Screw (M4x6)	4		6490
17	600222	Socket Hd Cap Screw (M6x35)	8		6490
18	607161	Die Head Position Pin	2	A161	6490
19	600905	Dies Notch	8	G865	
20	60206	2-1/2"-4" NPT Dies	1 set	X051	
	60207	5"-6" NPT Dies	1 set	X052	
	60109	5" - 6" NPT Die Head Complete		02A6	
	60108	2-1/2"-4" NPT Die Head Complete		02A5	

6590 Wheel Type Cutter



6590 Profiling



9

Number	Wheeler P/N	Description	Set	Rex P/N	Notes
	600275	Wheel Type Cutter			
1	608201	Cutter Frame	1	E211	
2	608202	Cutter Guide A	1	E202	
3	608203	Cutter Guide B	1	E223	
4	608204	Cutter Arm	1	E224	
5	607209	Stop Pin for Cutte Arm	1	A209	
6	608205	Cutter Handle	1	E205	
7	608206	Cutter Support Bar A	1	E221	
8	608207	Cutter Support Bar B	1	E222	
9	608208	Feed Screw	1	E212	
10	600427	Roll Pin (M6x36)	1		
11	608209	Guide A Pin	1	E209	
12	608210	Guide Stop Pin A	1	E210	
13	600157	Roll Pin (M4x32)	1		
14	608215	Cutter Notch	1	E215	
15	608216	Notch Holder	1	E216	
16	608217	Notch Knob	1	E217	
17	600451	Spring	1		
18	600197	Hex Socket Set Screw (M8x10)	1		
19	600625	Roll Pin (M3x35)	1		
20	600670	Cutter Pin C	3	E225	
21	60324	Cutter Wheel	1		
22	605074	Cutter Roller	2	5074	
23	600171	Spring Cotter (#2.3x15)	3		
24	600256	Roll Pin (M6x20)	3		
25	600175	Roll Pin (M6x32)	2		
	600274	Profiling			
11		Profiling Board	1	E708	
12	608103	Profiling Cover A	1	E861	
13		Profiling Cover B	1	E104	
14	608105	Profiling Cover C	1	E105	
15	608106	Spring Support Shaft	1	E117	6490
16	608114	Spring	1	A114	6490
17	608110	Size Support A	1	T032	6490
18	608111	Size Support B	1	T033	6490
19	608035	Size Adjust Dial	1	T035	6490
20	608869	Size Scale Plate	1	E869	6490
21	600143	Rivet (#0x5)	1		6490
22	608869	Size Plate	1	E868	
23	600631	Roll Pin (M3x10)	1		
25	600432	Rd Hd Machine Screw (M5x6)	1		6490
26	600210	Hex Hd Cap Screw (M6x10)	2		6490
27	600211	Plain Washer (M6)	1		6490
28	600434	Profiling Board Spring	1	7752	6790